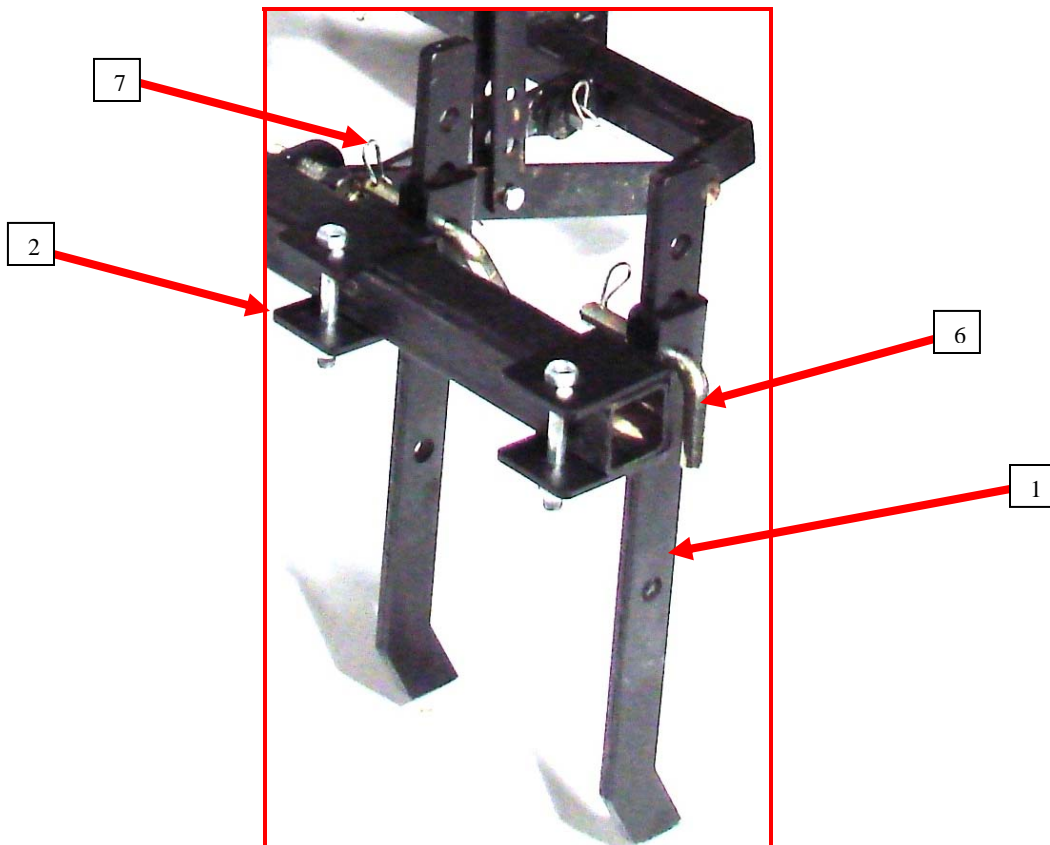




86100 – Chisel Plow/Scarifer

NO.	Description	QTY.
1	Blades	6
2	Brackets	6
3	Bolt	6
4	Nylock Nut	6
5	Washer	6
6	5/8" x 3" Bent Hitch Pin	6
7	R-Pin	6



Chisel Plow/Scarifer Use:

- This product is designed to dig up hard packed surfaces such as, gravel driveways, soil, and clay.
- This product can be used in conjunction with the Kolpin Rear Blade or Kolpin Box Scraper.
- Kolpin Toolbar required to be able to use Chisel Plow/Scarifer.

Mounting Specific Instructions:

1. Slide the six Brackets onto the Kolpin Toolbar, as shown in the picture. Attach using the (6) Bolts, Nylock Nuts, and Washers provided. Place three brackets on one side of the vertical tube on the Kolpin Toolbar. Place the other three brackets on the other side.
2. Leave enough room that you are able to slide the Toolbar off of the lift arms of the Kolpin 3-Point unit.
3. Once you have your spacing correct, tighten securely.
4. Drop the Chisel Plow/Scarifier Blade through the vertical slot in the bracket. You will notice that the blade comes with a series of holes. The lowest hole is for transporting the blade. The other holes in the blade are there for a quick adjustment of different depths.
5. Final set up should look similar to the picture below.



Kolpin Outdoors, Inc.
205 N. Depot Street, Fox Lake, WI 53933
Phone #: (877) 9KOLPIN or (920) 928-6514
www.kolpinpowersports.com customerservice@kolpin.com